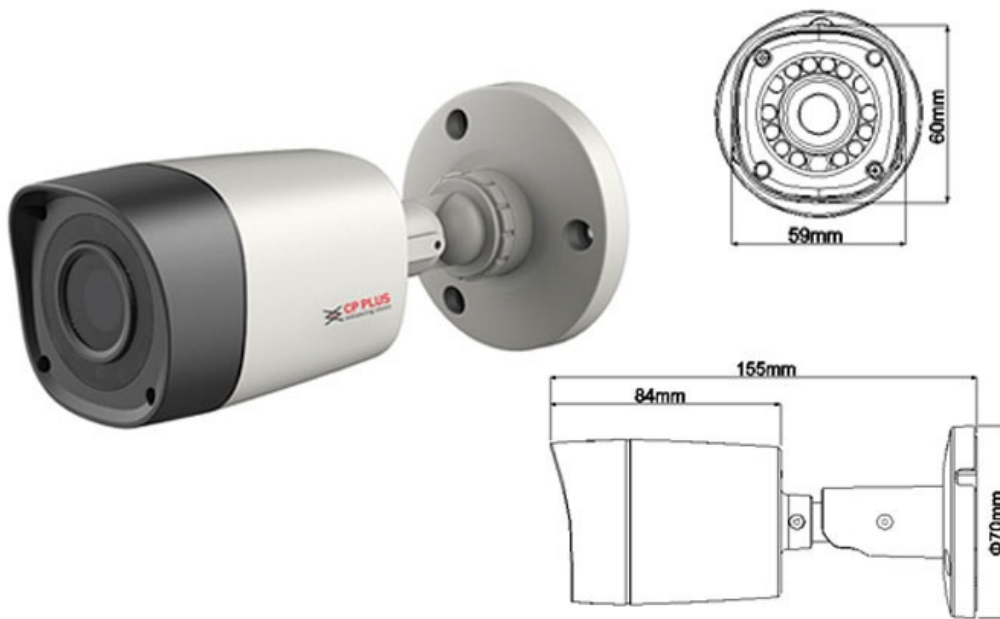


# CP- UVC-T1200ML2

2 MP HDCVI IR Bullet Camera - 20Mtr.

CP PLUS  
**CORAL**



## Main Features

- 1/2.7" 2 MP HQIS Pro Image Sensor
- Max 25/30fps@1080P
- Day/Night(ICR), AWB, AGC, BLC, 2D-DNR
- 3.6mm fixed lens (6mm optional)
- IR Range of 20 Mtrs.
- High speed, long distance real-time transmission, IP66



\*Product casing and specifications are subject to change without prior notice

# CP- UVC-T1200ML2

2 MP HDCVI IR Bullet Camera - 20Mtr.



## Feature

Image Sensor  
Minimum Illumination  
Shutter Speed  
Lens  
Video Streaming  
Video Output  
ICR  
IR  
Transmission Distance  
Operating Temperature  
Power Source  
Power Consumption  
Weatherproof Standard  
Dimension  
Weight

## Specification

1/2.7" 2Megapixel HQIS Pro  
0.01 Lux@F1.2 (AGC ON),0 Lux (IR on)  
1/50s~1/100,000s  
3.6mm (6mm optional)  
1080P@25 fps  
1-channel BNC HDCVI high definition video output  
Auto(ICR)/Color/B/W  
IR Range of 20 Mtr.  
Over 300m via 75-3 coaxial cable  
-30°C~+60°C/ Less than 95%RH (no condensation)  
DC12V±10%  
Max 2W  
IP66  
Φ70mm × 155mm  
300g